

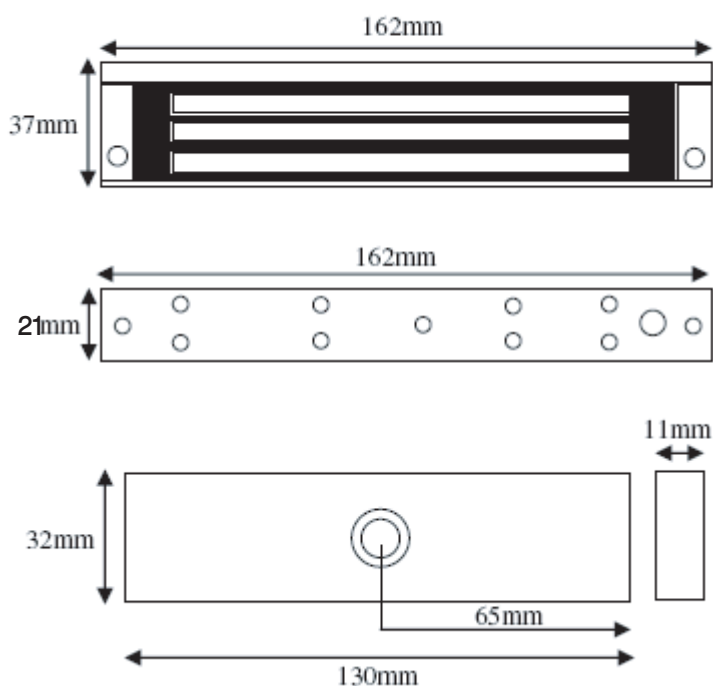


The fail-safe Electromagnetic Lock is uses magnetic force to secure and release the doors, suitable for use in areas which require access controlled or egress such as exit door.

We offer up to 300 pounds holding force for 12V or 24V DC dual input voltage and can be applied with access control, and with the full range of optional brackets, it can be installed on any type of door frames such as compact size for small door frame, in-swinging door and glasses door and cabinets.

It is the best choice for electronic security industry and system integrators.

Electromagnetic lock



FEATURES :

- MOV provides spike and surge protection PCB.
- Anodized aluminum housing.
- Adjustable mounting plate for easy installation.
- Dual voltage 12VDC or 24VDC.
- Anti-residual magnetism designed.
- Complete mounting hardware included.
- Low Current Consumption.
- Reliable Holding Force.
- Full range of optional Brackets.

SPECIFICATIONS :

- Voltage Input: 12 VDC / 24 VDC
- Current Draw: 300mA /12VDC; 150mA/24VDC
- Holding force: Up to 300lbs(136 kg)
- Dimension:
Magnet - 162(L) x 37(W) x 22mm(T)
Armature Plate - 130(L) x 32(W) x 11mm(T)
- Special Finishes for magnet and armature plate : Zinc
- Weight (approx): 1.0 Kg

Disclaimer :

Weserhoch reserve the right to go ahead with any modifications of models or features or price without forewarning. All the information and specifications stated in this document are current at the time of publication.

