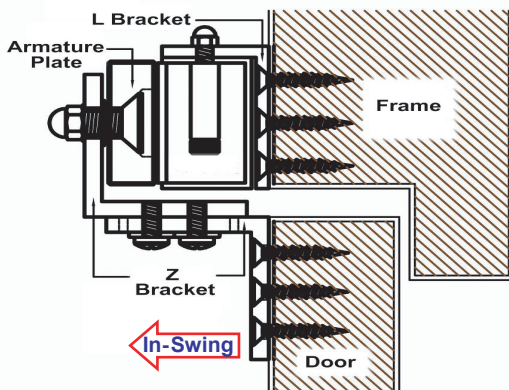
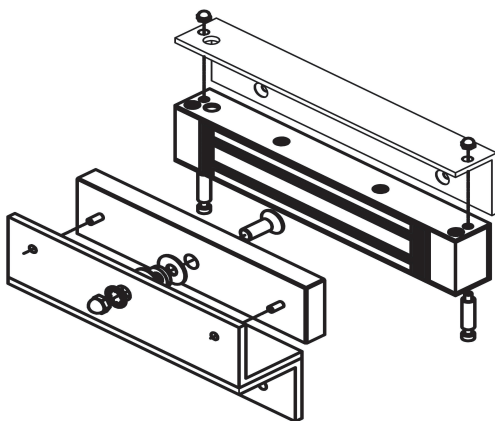


- Adjustable Z and L mounting brackets for 162 series EM Locks.

## Installation Steps of Adjustable Z&L mounting brackets for In-Swinging doors



- 1.) Find a mounting location on the door frame for the L bracket. Make sure that the door is still closeable.
- 2.) Tighten the electromagnetic lock on the L bracket by using the fixing screw.
- 3.) Put one rubber washer between armature plate and Z bracket.
- 4.) Close the door. Measure the correct position by bringing the armature plate close to the contact surface of the electromagnetic lock.
- 5.) Turn on the power of electromagnetic lock, and let the armature plate bonds to the electromagnetic lock. Adjust the position between the Z bracket and the door frame.
- 6.) Once the position is correct, use the screw to permanently mount the Z bracket on the door frame.



### Disclaimer :

Weserhoch reserve the right to go ahead with any modifications of models or features or price without forewarning. All the information and specifications stated in this document are current at the time of publication.