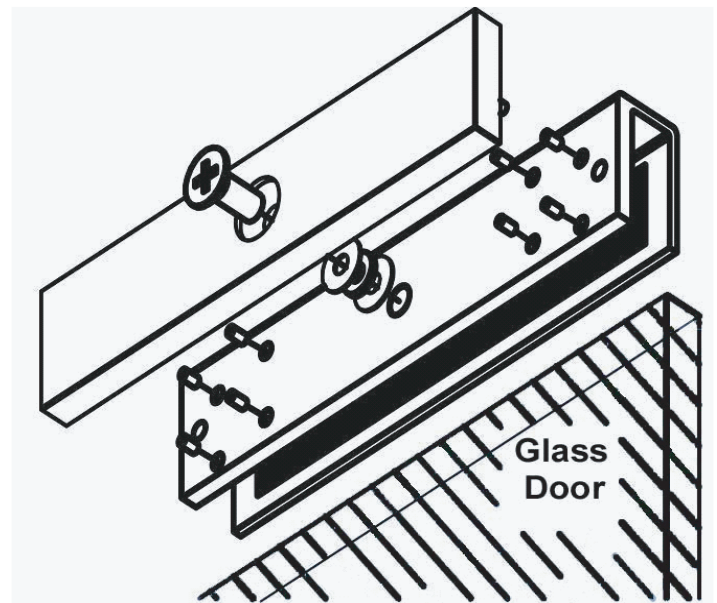
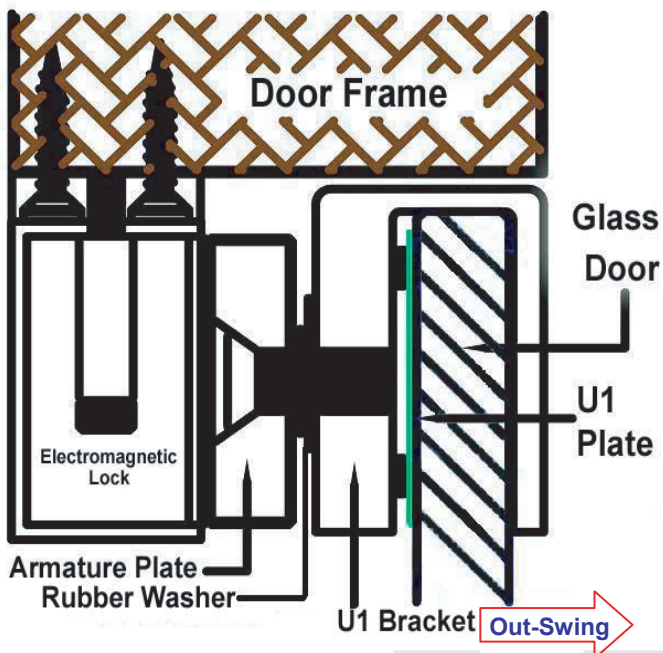


- U-mounting sleeve for glass doors(10mm-12mm) for 250 series EM Lock.
- Suitable for use with glass doors.
- After the door installs with the U-bracket, the door will become a single swing door.

Installation Guide of U-mounting brackets for out swing doors



Disclaimer :

Weserhoch reserve the right to go ahead with any modifications of models or features or price without forewarning. All the information and specifications stated in this document are current at the time of publication.