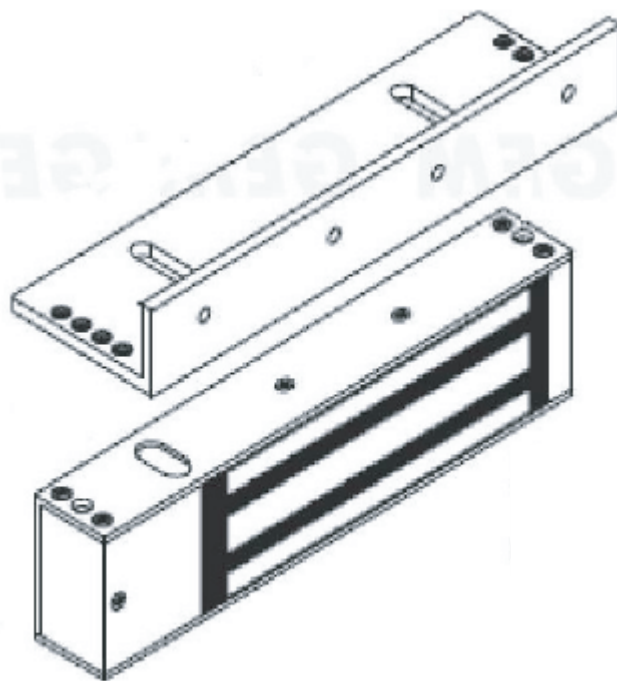
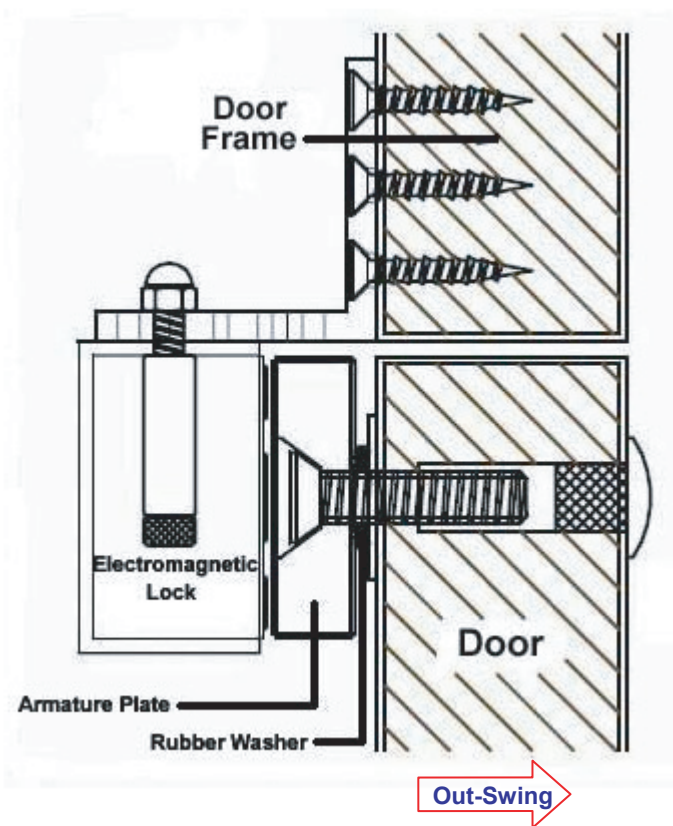




- Adjustable LS mounting brackets for 250 series EM Locks.

## Installation Guide of Adjustable LS- mounting brackets for Out-Swinging doors



### Disclaimer :

Weserhoch reserve the right to go ahead with any modifications of models or features or price without forewarning. All the information and specifications stated in this document are current at the time of publication.