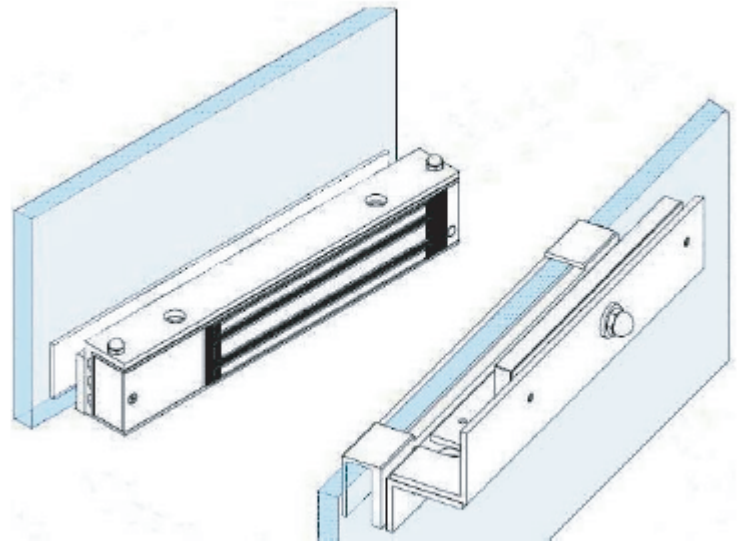
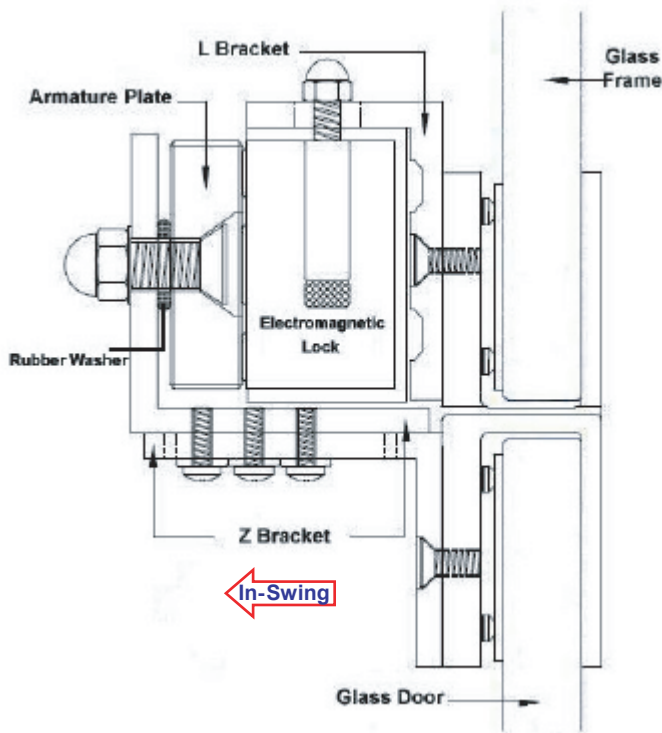


- Frameless glass door Adjustable DSU1-mounting brackets for 250 series EM lock.

Installation Guide of DSU1-mounting brackets for In-swing doors



Weser

Disclaimer :

Weserhoch reserve the right to go ahead with any modifications of models or features or price without forewarning. All the information and specifications stated in this document are current at the time of publication.